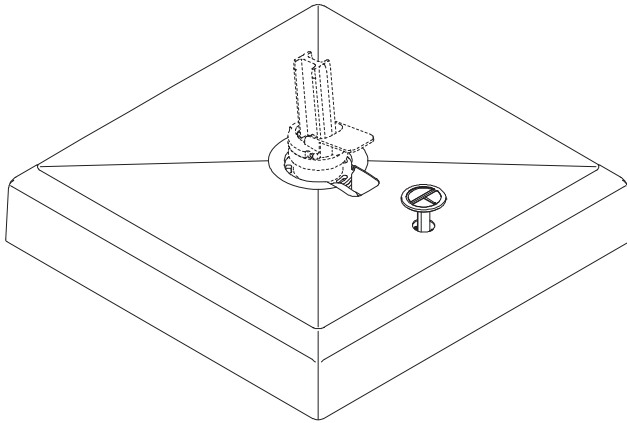




---

## Assembly and Operation Guide



### CANTILEVER ROLLING BASE

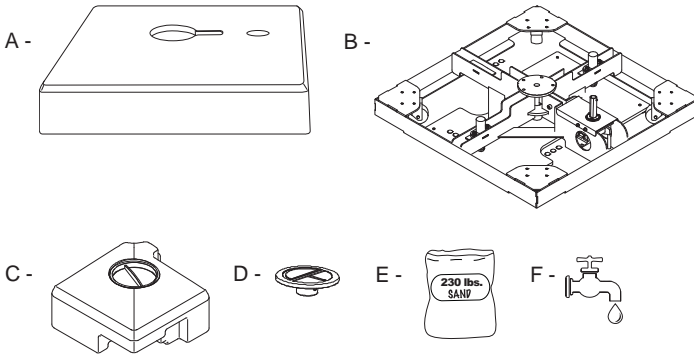


**BASE-13R** *Rolling Base*

Thank you for purchasing Treasure Garden's Cantilever Rolling Base.  
Please remove all contents from the package, inspect and review checklist.

## CHECKLIST

- A - (1) Base Lid
- B - (1) Steel Base Frame with Wheels
- C - (4) Add-on Weight Containers
- D - (1) Pedal
- E - 230 lbs. All-Purpose Sand (*not included*)
- F - 2 Gallons of Water (*not included*)



---

### IMPORTANT:

- Allow ample height to avoid damage to your umbrella during assembly and usage.
- Choose a location that is level and sturdy.
- Avoid any sloping or soft ground.

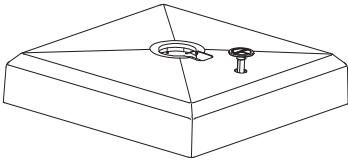
**Note:** Some parts may be included in the styrofoam packaging. DO NOT discard any packaging or box until assembly is complete.

**CAUTION:** Make sure fingers, toes and any other parts of the body are clear from under the base when operating base foot pedal. Failing to do so may result in serious injury. Fully assembled, the umbrella weights approximately 550 lbs. *We recommend a two-person team for assembly and disassembly.*

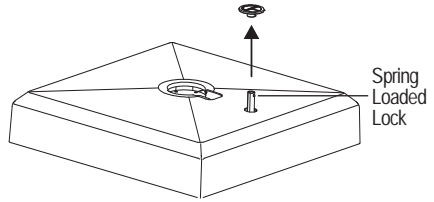
# STEP 1

## ASSEMBLE BASE

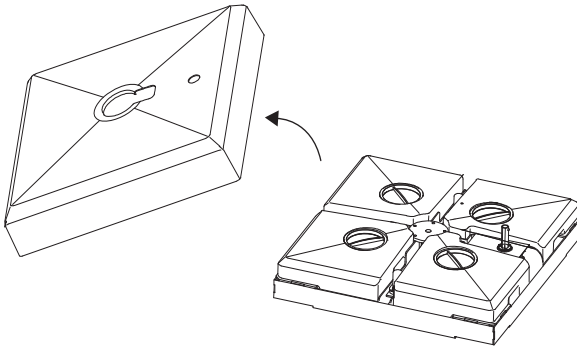
- Select area to assemble base.
- Using a two-person team, lift base from carton and place base in desired location (Fig. 1).  
CAUTION: Avoid fingers getting caught under base!
- Press the spring loaded lock located under foot pedal to remove pedal and set aside (Fig. 2).
- Remove base lid from base frame and set aside (Fig. 3). Remove (4) add-on weight containers from base frame (Fig. 4).



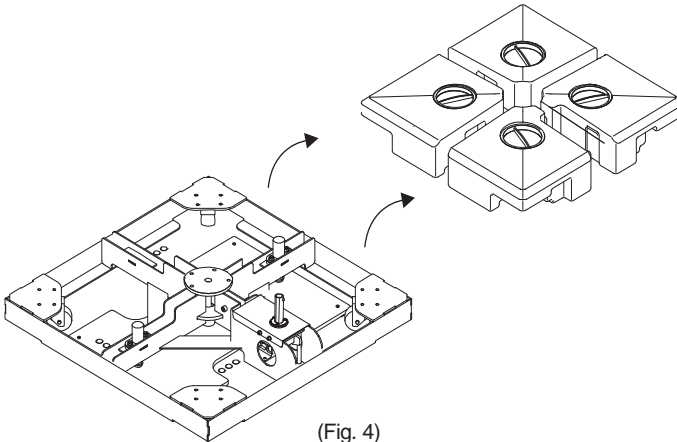
(Fig. 1)



(Fig. 2)



(Fig. 3)

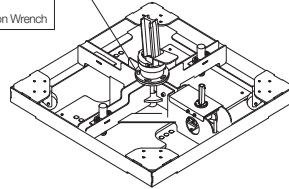
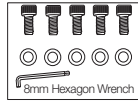


(Fig. 4)

- Remove rotating hub (sold separately) from the main frame of umbrella by removing the (2) bolts and (2) washers (Fig. 5) from lower backside of umbrella. Set aside bolts and washers for later use.
- Place rotating hub onto base frame and secure with supplied (5) hub bolts and (5) washers included with umbrella (Fig. 6).



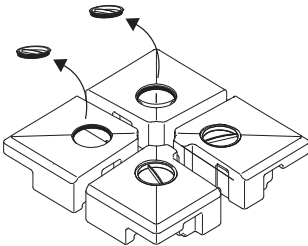
(Fig. 5)



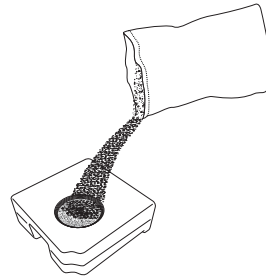
(Fig. 6)

**IMPORTANT:** Containers hold up to 230 lbs. of sand. To achieve minimum base weight, it is necessary to pack sand into all areas of each container and add water.

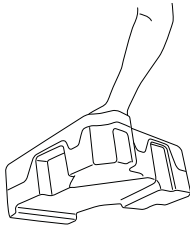
- Remove cap from add-on weight container (Fig. 7).
- Fill container with 1/2 a bag of sand, approximately 25 lbs. (Fig. 8).
- Tilt container on its side (Fig. 9) and pack sand deep into corners while container is tilted (Fig. 10).
- Add 1/4 gallon of water. Once water sinks into sand, pack sand down again.
- Add remaining bag of sand to container, while continuing to pack sand down.
- Add another 1/4 gallon water to container. Once water sinks into sand, add additional sand to container until full.
- Remove/clean excess sand from container cap and threads. Secure cap on container.
- Repeat process with each container.



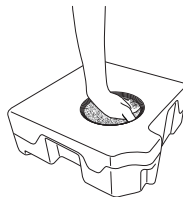
(Fig. 7)



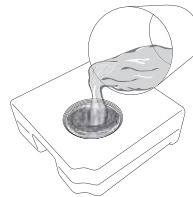
(Fig. 8)



(Fig. 9)



(Fig. 10)

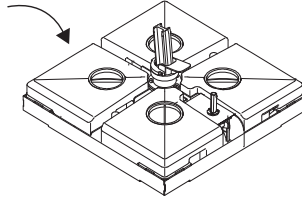


(Fig. 11)

- Place each add-on weight container back into base frame sections (Fig. 12).

**Note:**

- Add-on weight containers only fit one direction.

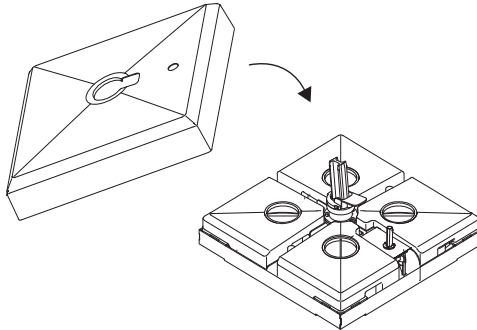


(Fig. 12)

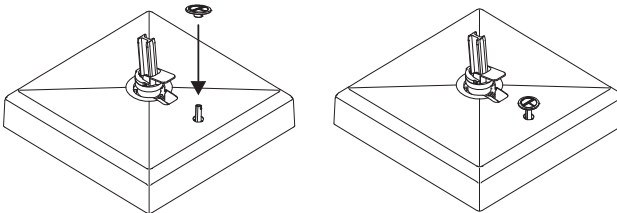
- Carefully place base lid onto base frame (Fig. 13).
- Reattach foot pedal (Fig. 14).
- Your base is now ready for umbrella installation. Please refer to umbrella manual for installation instructions.

**Note:**

- You may roll assembled base to desired location prior to installing umbrella onto base.
- Proceed to Step 2 for instructions how to operate rolling base.



(Fig. 13)

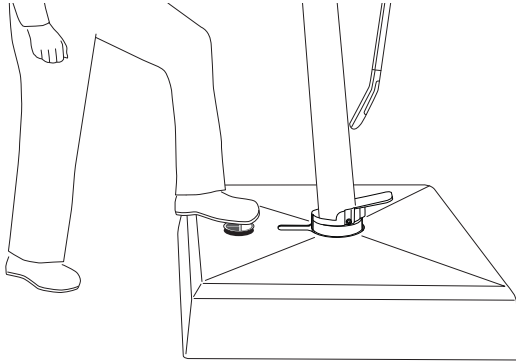


(Fig. 14)

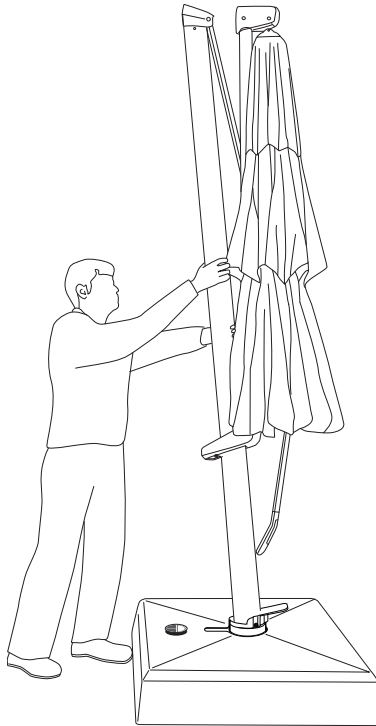
## STEP 2

### OPERATING ROLLING BASE

- To move your base/umbrella to a new desired location, firmly step down on the base foot pedal to unlock base wheels (Fig. 15).
- Roll base to new location (Fig. 16).
- Firmly step down on foot pedal again to lock wheels and position in place (Fig. 15).



(Fig. 15)



(Fig. 16)

## SAFETY PRECAUTIONS

- Handle base with care.
- Do not allow children to play on or with the base.
- Make sure fingers, toes and any other parts of the body are clear from under the base when operating base foot pedal. Failing to do so may result in serious injury.
- Close and store the umbrella in windy conditions or when a storm approaches. Never allow the umbrella to flap in the wind; this could damage the canopy.
- Do not leave open umbrella unattended.
- When adjusting the umbrella, make sure that no person(s) or item(s) are close to the umbrella. This is important to prevent injury or material damage.

---

### WARRANTY:

Treasure Garden warrants this product (for residential use ONLY) to be free from defects in original materials and workmanship for a period of 1 year from the date of purchase. If a defect in the original material or workmanship appears during the warranty period; Treasure Garden will (at its discretion) repair or replace the product without charge.

Simply contact your original authorized Treasure Garden dealer with a description of the defect. The dealer will verify the defect and work closely with Treasure Garden to obtain the necessary service. In many cases, simple problems can be solved with a replacement part that can be shipped directly to the dealer for professional installation / repair.

There are no serviceable parts within this product. Tampering with or altering the product will void warranty.

In the event that warranted factory service is required, Treasure Garden will assume the responsibility of the return freight charges for the first year only.

Returned product that (upon receipt and inspection) is deemed to be "not covered" under our warranty, will be shipped / billed at your expense.

This warranty gives you specific legal rights, and you may have other rights which vary from state to state.

**RUST:** Rust is a natural part of the aging process of steel or iron based materials, and is therefore NOT considered a defect.

**NOTE:** Failure caused by unreasonable or abusive use, or failure caused by neglect of reasonable and necessary care are not covered by this warranty.

Additionally, acts of nature (including but not limited to wind, hurricanes, tornadoes, and storms) are not covered by this warranty.



[www.treasuregarden.com](http://www.treasuregarden.com)

©2020 Treasure Garden, Inc. - All Rights Reserved.  
v.07.23.20