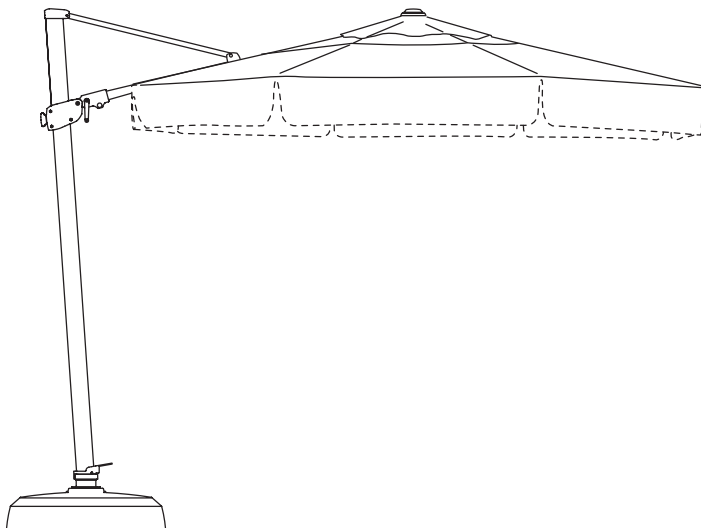




Assembly and Operation Guide



AG25T CANTILEVER



AG25T *11.5' octagon*

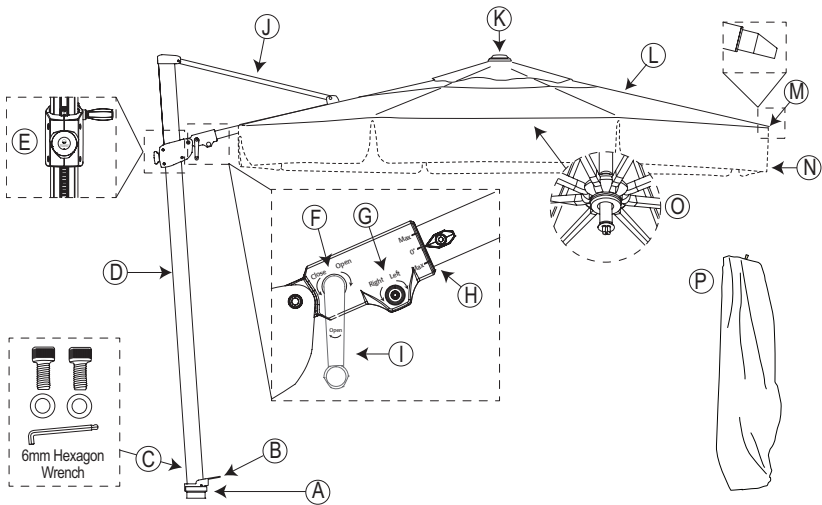


AG25TSQ *10' square*

Thank you for purchasing Treasure Garden's AG25T Cantilever.
 Please remove all contents from the package, inspect and review checklist.
Some parts may be included in the styrofoam packaging.
Do not discard any packaging or box until assembly is complete.

CHECKLIST

- | | |
|------------------------------|---|
| A - (1) 360° Rotating Hub | I - (1) Crank Handle |
| B - (1) Foot Pedal | J - (1) Canopy Support Beam |
| C - (1) Hardware Assembly | K - (1) Finial |
| D - (1) Main Frame | L - (1) Canopy |
| E - (1) Adjustment Knob | M - (7) Spring Loaded Rib End Cap |
| F - (1) Open/Close Mechanism | N - (1) Valance (optional) |
| G - (1) Tilt Mechanism | O - (1) Light Adapter (light sold separately) |
| H - (1) Tilt Degree Scale | P - (1) Protective Cover |



IMPORTANT:

Prior to assembly it is important to decide on the location of the umbrella.

- Allow ample height to avoid damage to your umbrella during assembly and usage.
- Choose a location that is level and sturdy.
- Avoid any sloping or soft ground.
- Consider a location that will maximize the umbrella's 360° rotating function. Placing the umbrella between two entertaining areas is ideal.

CAUTION:

- Fully assembled, the umbrella weighs over 300 lbs. Moving umbrella fully assembled will increase the risk of damage to your umbrella and/or can cause serious injury. We recommend a two-person team for assembly and disassembly.

NOTE: REFER TO SEPARATE BASE OR MOUNT KIT MANUAL FOR BASE ASSEMBLY PRIOR TO PROCEEDING.

IMPORTANT:

For free standing base applications, it is imperative to install the appropriate base for your size cantilever. The minimum base weight recommended for the AG25T is 200 lbs.

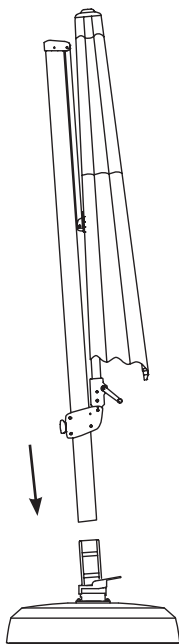
STEP 1 **UMBRELLA ASSEMBLY**

Two-persons recommended for team lift and to complete assembly.

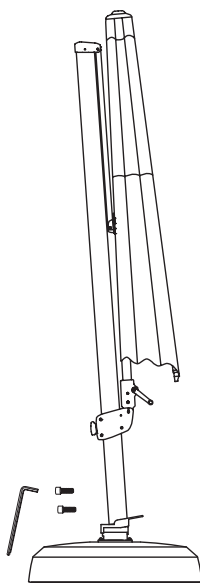
With base cover in place or mount kit installed, lift umbrella up and insert the main frame onto the installed rotating hub (Fig. 1). Secure umbrella into place by inserting the (2) bolts and (2) washers and tighten using 6mm hexagon wrench provided (Fig. 2).

REMOVE ALL PLASTIC PACKAGING MATERIAL FROM ALL PARTS PRIOR TO OPENING UMBRELLA. CHECK UNDER CANOPY FOR PACKAGING AROUND RIBS.

Your umbrella is now ready for use!



(Fig. 1)

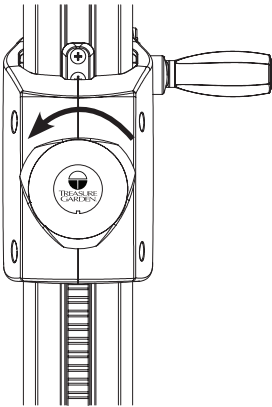


(Fig. 2)

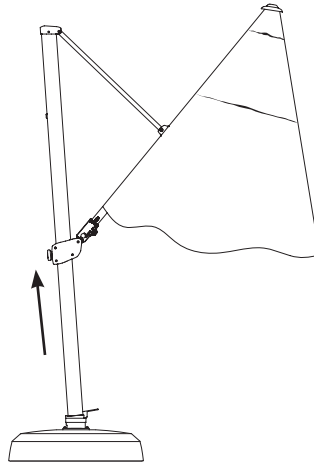
STEP 2

OPENING UMBRELLA

Position yourself behind umbrella. In the closed position, turn adjustment knob counter clockwise (Fig. 3) and slide the adjustment knob upward (Fig. 4). Turn adjustment knob clockwise to tighten and secure in place.

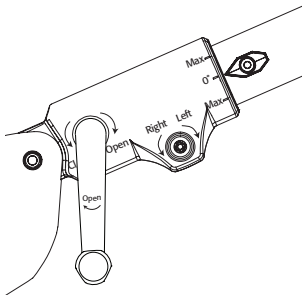


(Fig. 3)

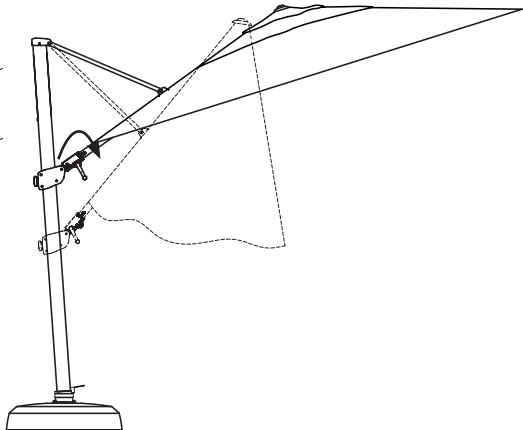


(Fig. 4)

Insert crank handle into "Open/Close" socket in crank mechanism (Fig. 5). Turn crank handle clockwise until the canopy is fully open (Fig. 6). **CAUTION:** Stop turning the crank handle as soon as the umbrella canopy is completely open and the sleeve on the umbrella center pole has reached its maximum height.



(Fig. 5)



(Fig. 6)

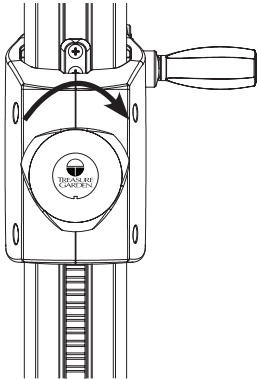
STEP 3 TILTING UMBRELLA

To Tilt Canopy Vertically:

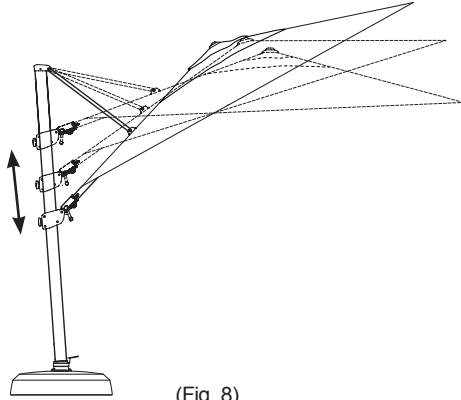
IMPORTANT: PRIOR TO USING VERTICAL AND HORIZONTAL TILT FEATURE.

To avoid personal injury or damage to the umbrella, make sure the area behind you is clear and free from any furniture or structure.

Position yourself behind umbrella. Turn adjustment knob counter clockwise (Fig. 7) and slide car up and downward until desired height and angle is reached (Fig. 8). Tighten the adjustment knob clockwise to lock its position. **NOTE:** Do not use tilt function during winds.



(Fig. 7)



(Fig. 8)

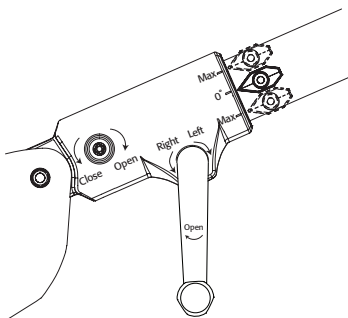
To Tilt Canopy Horizontally:

IMPORTANT: PRIOR TO USING VERTICAL AND HORIZONTAL TILT FEATURE.

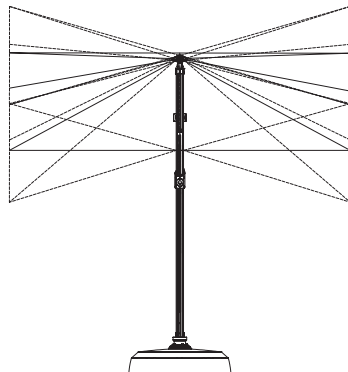
To avoid personal injury or damage to the umbrella, make sure the area behind you is clear and free from any furniture or structure.

Insert crank handle into "Right/Left" socket in crank mechanism (Fig. 9). To tilt canopy right, turn crank handle counter clockwise. To tilt canopy left, turn crank handle clockwise.

NOTE: We do not recommend tilting vertically and horizontally at a maximum tilt degree for a prolonged period of time. Doing so may result in damage to umbrella.

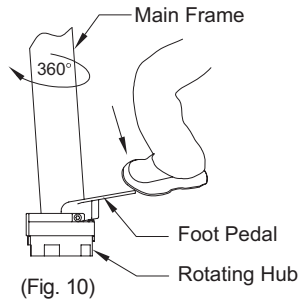
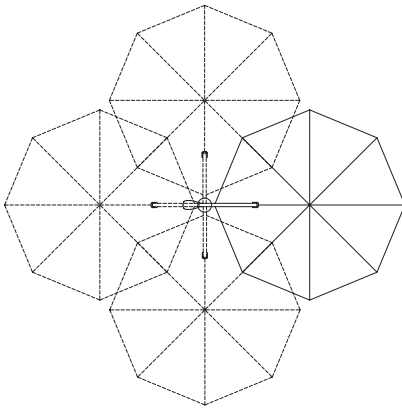


(Fig. 9)



STEP 4 ROTATING UMBRELLA

Place your foot on the foot pedal of the rotating hub and *step-on* the pedal to release rotating lock (Fig. 10). Place hands on the main frame and rotate the umbrella frame in either direction, in 90° increments. To lock position, step off the foot pedal to engage rotating lock.



STEP 5 LIGHT ADAPTER FEATURE

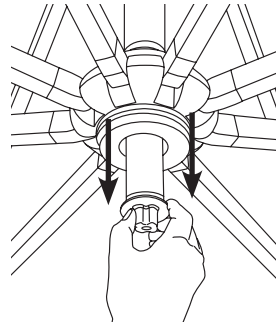
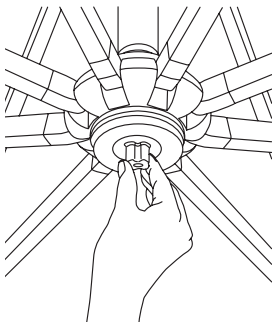
To ATTACH Umbrella Light: (sold separately)

Loosen the light adapter built into the umbrella runner by turning counter-clockwise (Fig. 11). After loosening, pull down light adapter post (Fig. 12) to attach the umbrella light (sold separately).

To REMOVE Light and CLOSE adapter:

Hold the umbrella light, depress the clamp release button to release the clamp lock. Remove umbrella light and gently push up the light adapter post back into umbrella runner and tighten turning clockwise (Fig. 11).

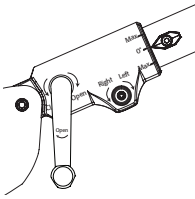
NOTE: It may be necessary to lower umbrella to a reachable height to pull light adapter down and attach umbrella light. It is not necessary to remove light to close umbrella.



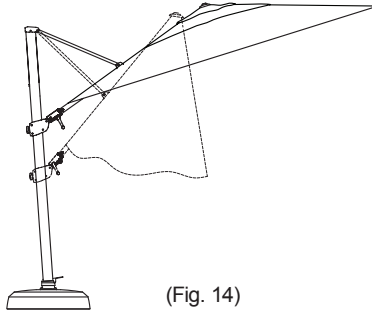
STEP 6

CLOSING UMBRELLA

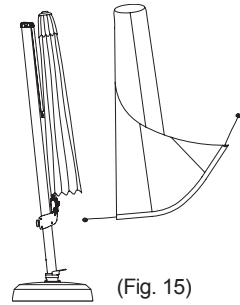
Position yourself behind umbrella. Insert crank handle into “Open/Close” socket in crank mechanism (Fig. 13). Turn crank handle counter clockwise until the canopy is closed (Fig. 14). Turn adjustment knob counter clockwise and slide downward until umbrella is in closed position. Tie string around canopy to secure canopy. Cover umbrella with provided protective cover when not in use (Fig. 15). **NOTE:** Prior to closing ensure that the canopy is in a level (non-tilt) position. Properly store umbrella when not in use. Close umbrella, tie string around canopy and cover umbrella with provided protective cover.



(Fig. 13)



(Fig. 14)



(Fig. 15)

CARE AND MAINTENANCE

- When not in use, close and cover umbrella with provided protective cover.
- Allow a wet canopy to dry while in open position, but do not leave unattended.
- If necessary, clean the fabric with lukewarm water, mild detergent, and a sponge.
- Wipe sliding marks on the aluminum poles with a damp cloth.

Winter Storage:

- Store in a dry place.

After the Winter:

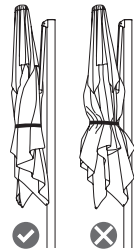
- Check the condition and function of the umbrella. Any defects must be repaired by a professional.

TO PROPERLY FOLD CANOPY:

The canopy will last longer if you fold it as it was packed and shipped. This technique is similar to the way a parachute is folded and is especially important when folding the canopy for seasonal storage or when left in the closed position for an extended period of time.

Using this technique at all times will significantly extend the life of the canopy.

- When the umbrella has been fully closed, stand in front of the canopy structure and begin the folding process by pulling out two panels opposite the main frame. Pull the two panels together and roll tight into the canopy.
- Once rolled tight, pull adjacent panels out one at a time and fold to the center, alternating sides until all the panels have been pulled out from the arms and folded into the center.
- Tie string around canopy and cover umbrella with provided protective cover.



SAFETY PRECAUTIONS

- Close and store the umbrella in windy conditions or when a storm approaches. Never allow the umbrella to flap in the wind; this could damage the canopy.
- Do not leave open umbrella unattended. If damage occurs, this is not covered by the warranty.
- When adjusting the umbrella, make sure that no person(s) or item(s) are close to the umbrella. This is important to prevent injury or material damage.

WARRANTY:

Treasure Garden warrants this product (for residential use ONLY) to be free from defects in original materials and workmanship for a period of 1 year from the date of purchase. If a defect in the original material or workmanship appears during the warranty period; Treasure Garden will (at its discretion) repair or replace the product without charge.

Simply contact your original authorized Treasure Garden dealer with a description of the defect. The dealer will verify the defect and work closely with Treasure Garden to obtain the necessary service. In many cases, simple problems can be solved with a replacement part that can be shipped directly to the dealer for professional installation / repair.

Tampering with or altering the product will void warranty.

In the event that warranted factory service is required, Treasure Garden will assume

the responsibility of the return freight charges for the first year only.

Returned product that (upon receipt and inspection) is deemed to be "not covered" under our warranty, will be shipped / billed at your expense.

This warranty gives you specific legal rights, and you may have other rights which vary from state to state.

RUST: Rust is a natural part of the aging process of steel or iron based materials, and is therefore NOT considered a defect.

NOTE: Failure caused by unreasonable or abusive use, or failure caused by neglect of reasonable and necessary care are not covered by this warranty.

Additionally, acts of nature (including but not limited to wind, hurricanes, tornadoes, and storms) are not covered by this warranty.



www.treasuregarden.com

©2020 Treasure Garden, Inc. - All Rights Reserved.
v.11.30.20